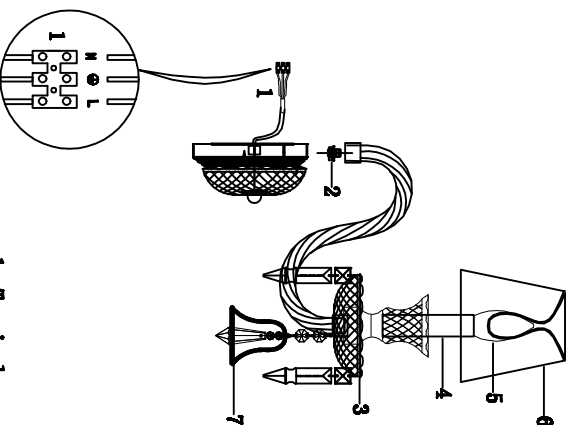


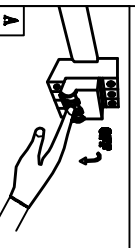
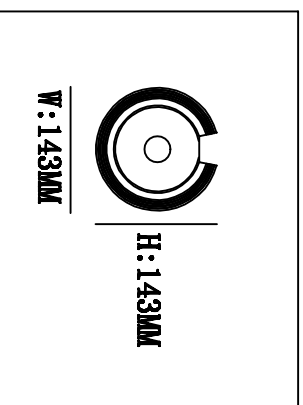
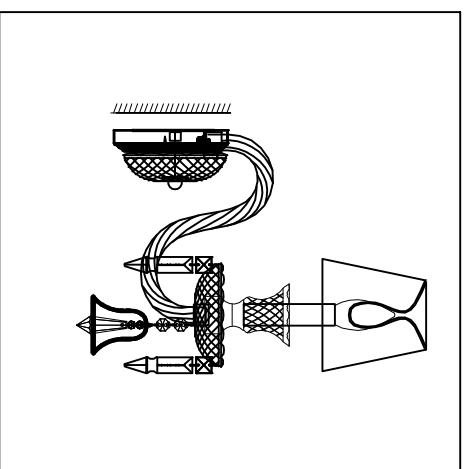
Specification of installation

In order to ensure safety use, please notice the following items:

- . Read and understand the whole Specification.
- . Suitable for the use of 220~240v and 50~60Hz.
- . Please wear gloves as installation and avoid rot on the surface of plating.
- . Must be installed on the fixed places and be checked annually.
- . Please turn off the lighting source by soft cloth as cleaning prohibited to use of rotted detergent.
- . Please connect with the local sales service center when there are any abnormality.

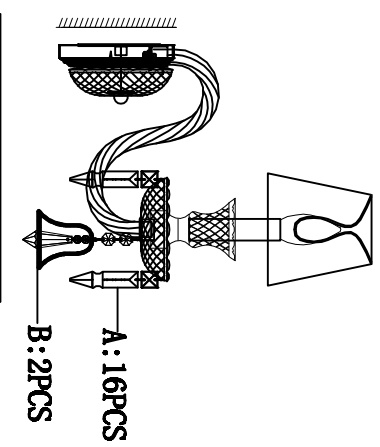


- 1: Terminal
- 2: Gaskets, Nut
- 3: Side dish
- 4: Casing
- 5: E14 bulb
- 6: Chimney
- 7: Crystal

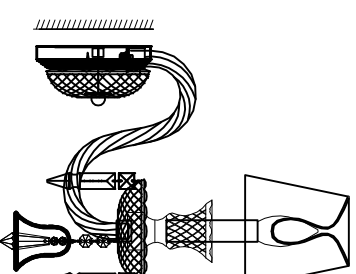


Product coding: PRINCESS AP2

FIXTURE SIZE:



E: 250MM



H: 410MM

W: 300MM